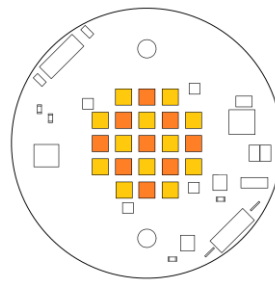
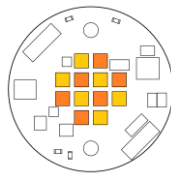


LODA MODULE

Preliminary

Features:

- > Simplest way of adding dim-to-warm functionality to a COB-based light fixture
- > Integrated controls mimic natural variation in CCT of incandescent/halogen lighting
- > Compatible with Class 2 constant current drivers with any dimming option (Triac, 0-10V, DMX, DALI, etc)
- > Dimmed intensity CCT can be selected as low as 1500K
- > Full intensity CCT can be selected from 2700K to 6500K, 80 or 90 CRI available
- > CCT shift curve can be set to a logarithmic, linear or custom mapping
- > Zhaga Book 10 compliant modules available in D35 LES19 and D50 LES23



Part Number	Module Size [mm]	LES [mm]	Technology	Vf	Max Light Output [lm]
A35L19DA2-DWA-360180	D35	19	Dual Color	34 – 40V	1,080
A50L23DA2-DWA-300350	D50	23	Dual Color	26 – 33V	1,800
A35L19XA2-DWA-240350	D35	19	WAVE	22 – 27V	1,440
A50L23XA2-DWA-240500	D50	23	WAVE	22 – 27V	2,160

Warranty Operation Range

Part Number	Maximum Current	Operating Temperature Range [°C]	Control Range ¹
A35L19DA2-DWA-360180	200mA	-40.0 to +95.0	100% to 1%
A50L23DA2-DWA-300350	400mA		
A35L19XA2-DWA-240350	400mA		
A50L23XA2-DWA-240500	600mA		

1. Control range is dependent upon driver resolution.

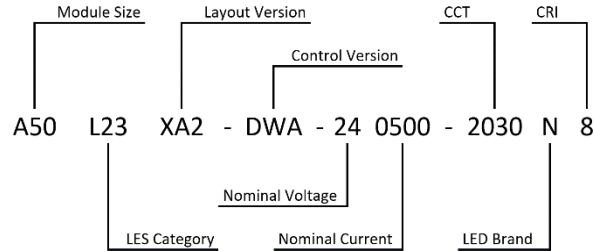
Arkalumen Products may be covered by patents in the US and elsewhere. Patent: www.arkalumen.com/patents

Release: 2017-MOD-0.1

arkalumen

ARKALUMEN.COM
sales@arkalumen.com
©2012-2017 Arkalumen

Order Code



Legend

Module Size	A35: D35	A50: D50	Layout Version	S, D, or X	Internal Code	A - Z	# of Contacts	2, 3, or W
LES Category	L19	L23	Technology	24: 24V	Nominal Current	0500: 500mA		
Control Version	DW: Dim-to-Warm CT: Tunable White	Internal Code	A - Z	Nominal Voltage	24: 24V	LED Brand	N: Nichia U: Luminus	P: Lumileds Z: Osram
CCT	AM: Amber 30: 3000K	20: 2000K 35: 3000K	LED Brand	N: Nichia U: Luminus	P: Lumileds Z: Osram	S: Seoul	CRI	8: 80+ 9: 90+

Junction Temperature (T_j): Lumen Multiplication Factor

25°C	45°C	65°C	85°C
1.03	1.00	0.97	0.94

CRI: Lumen Multiplication Factor

80+ 2000K – 6500K	2700K – 3500K	90+ 4000K – 5000K	6500K
1.0	0.83	0.85	0.87

Control Characteristics

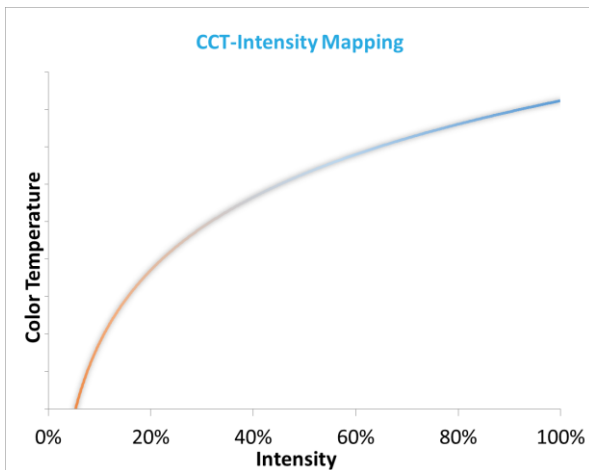


Figure 1 - Standard Logarithmic Dim-to-Warm

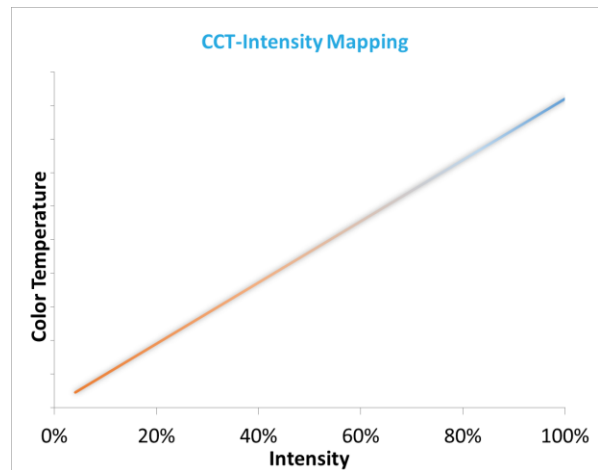


Figure 2 – Optional Linear Dim-to-Warm

Dual Color

Electrical Characteristics (T_j = 45 °C)

Part Number	Min CCT	Max CCT	V _f	180mA		350mA	
				Luminous Flux [lm]	Efficacy [lm/W]	Luminous Flux [lm]	Efficacy [lm/W]
A35L19DA2-DWA-360180-2030	2000K	3000K	34 – 40V	920	135		
A35L19DA2-DWA-360180-2035	2000K	3500K	34 – 40V	920	135		
A35L19DA2-DWA-360180-2040	2000K	4000K	34 – 40V	940	138		
A35L19DA2-DWA-360180-2050	2000K	5000K	34 – 40V	990	145		
A35L19DA2-DWA-360180-2065	2000K	6500K	34 – 40V	960	140		
A35L19DA2-DWA-360180-2740	2700K	4000K	34 – 40V	940	138		
A35L19DA2-DWA-360180-2750	2700K	5000K	34 – 40V	990	145		
A35L19DA2-DWA-360180-2765	2700K	6500K	34 – 40V	960	140		
A35L19DA2-DWA-360180-3040	3000K	4000K	34 – 40V	940	138		
A35L19DA2-DWA-360180-3050	3000K	5000K	34 – 40V	990	145		
A35L19DA2-DWA-360180-3065	3000K	6500K	34 – 40V	960	140		
A50L23DA2-DWA-300350-2030	2000K	3000K	26 – 33V	830	161	1,510	137
A50L23DA2-DWA-300350-2035	2000K	3500K	26 – 33V	830	161	1,510	137
A50L23DA2-DWA-300350-2040	2000K	4000K	26 – 33V	840	163	1,530	139
A50L23DA2-DWA-300350-2050	2000K	5000K	26 – 33V	890	172	1,610	146
A50L23DA2-DWA-300350-2065	2000K	6500K	26 – 33V	860	166	1,560	141
A50L23DA2-DWA-300350-2740	2700K	4000K	26 – 33V	840	163	1,530	139
A50L23DA2-DWA-300350-2750	2700K	5000K	26 – 33V	890	172	1,610	146
A50L23DA2-DWA-300350-2765	2700K	6500K	26 – 33V	860	166	1,560	141
A50L23DA2-DWA-300350-3040	3000K	4000K	26 – 33V	840	163	1,530	139
A50L23DA2-DWA-300350-3050	3000K	5000K	26 – 33V	890	172	1,610	146
A50L23DA2-DWA-300350-3065	3000K	6500K	26 – 33V	860	166	1,560	141

Dual Color

Mechanical Characteristics

Part Number	Module Size [mm]	LES [mm]	Technology	# of Contacts
A35L19DA2-DWA	D35	19	Dual Color	2
A50L23DA2-DWA	D50	23	Dual Color	2

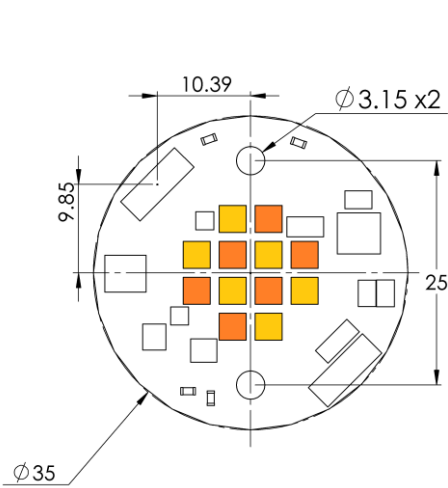


Figure 3 – A35L19DA2-DWA Mechanical Drawing

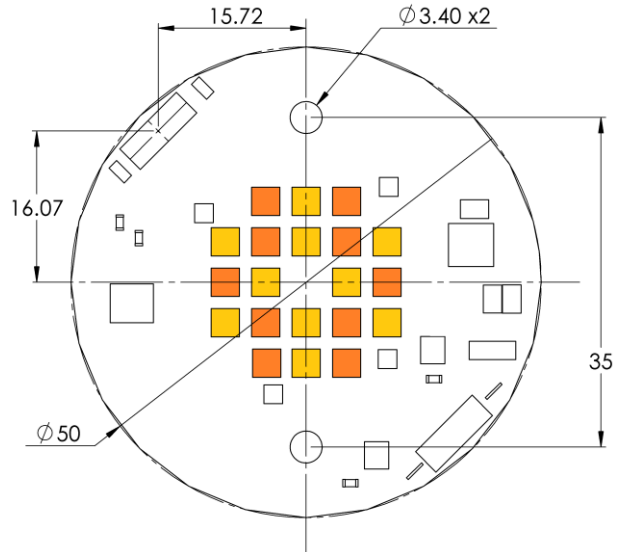


Figure 4 – A50L23DA2-DWA Mechanical Drawing

Electrical Characteristics (T_j = 45 °C)

Part Number	Min CCT	Max CCT	V _f	350mA		500mA	
				Luminous Flux [lm]	Efficacy [lm/W]	Luminous Flux [lm]	Efficacy [lm/W]
A35L19XA2-DWA-240350-AM27	1800	2700K	22 – 27V	1,160	131		
A35L19XA2-DWA-240350-AM30	1900	3000K	22 – 27V	1,205	137		
A35L19XA2-DWA-240350-AM35	2000	3500K	22 – 27V	1,205	137		
A35L19XA2-DWA-240350-AM40	2300	4000K	22 – 27V	1,220	139		
A35L19XA2-DWA-240350-RR27	2000	2700K	22 – 27V	1,160	131		
A35L19XA2-DWA-240350-RR30	2100	3000K	22 – 27V	1,205	137		
A35L19XA2-DWA-240350-RR35	2400	3500K	22 – 27V	1,205	137		
A35L19XA2-DWA-240350-RR40	2600	4000K	22 – 27V	1,220	139		
A50L23XA2-DWA-240500-AM27	1600	2700K	22 – 27V	1,210	146	1,665	133
A50L23XA2-DWA-240500-AM30	1600	3000K	22 – 27V	1,260	152	1,725	138
A50L23XA2-DWA-240500-AM35	1600	3500K	22 – 27V	1,260	152	1,725	138
A50L23XA2-DWA-240500-AM40	1600	4000K	22 – 27V	1,280	155	1,760	141
A50L23XA2-DWA-240500-RR27	1600	2700K	22 – 27V	1,210	146	1,665	133
A50L23XA2-DWA-240500-RR30	1600	3000K	22 – 27V	1,260	152	1,725	138
A50L23XA2-DWA-240500-RR35	1700	3500K	22 – 27V	1,260	152	1,725	138
A50L23XA2-DWA-240500-RR40	1800	4000K	22 – 27V	1,280	155	1,760	141

Mechanical Characteristics

Part Number	Module Size [mm]	LES [mm]	Technology	# of Contacts
A35L19XA2-DWA	D35	19	WAVE	2
A50L23XA2-DWA	D50	23	WAVE	2

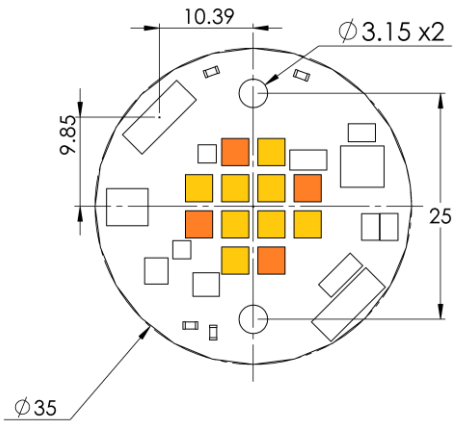


Figure 5 – A35L19XA2-DWA Mechanical Drawing

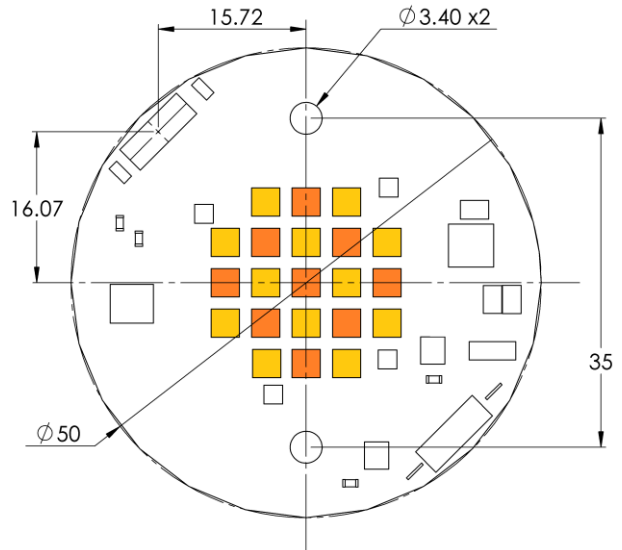


Figure 6 – A50L23XA2-DWA Mechanical Drawing